

GABION MAT
GALVANIZED & PVC COATED

Product Description

The gabion mat is a structure manufactured from 8x10 hexagonal double twisted wire mesh type as per ASTM A975 (Fig. 2). They are filled with stones and closed using lids at the project site to form flexible, permeable, monolithic structures such as channel linings and scour aprons for erosion control projects.

The wire mesh used is heavily zinc coated soft temper steel. A PVC coating is applied to provide added protection for use in polluted environments where soils or water are acidic, in salt or fresh water, or wherever the risk of corrosion is present. The PVC coating has a nominal thickness of 0.02 in. (0.50 mm). The standard specifications of mesh-wire are shown in Table 1.

The gabion mats are divided into cells by means of diaphragms. Typically, cells are 3 ft (0.9 m) wide by 9 ft (2.8 m) long (Fig. 1). In order to reinforce the structure, all edges are selvedged with a wire of greater diameter (Table 3). Cells 3 ft (0.9 m) wide by 3 ft (0.9 m) long can be manufactured as per requirements.

Dimensions, tolerances and sizes of PVC coated gabion mats are shown in Table 2.

Wire

All tests on wire must be performed prior to manufacturing the mesh. All wire should comply with ASTM A975, style 3 coating, galvanized and PVC coated steel wire. Wire used for the manufacture of gabion mats and the lacing wire, shall have a maximum tensile strength of 75 000 psi (515 MPa) as per ASTM A641/A641, soft temper steel.

Woven Wire Mesh Type 8x10

The mesh and wire characteristics shall be in accordance with ASTM A975 Table 1, Mesh type 8x10 and PVC coated. The nominal mesh opening, D = 3.25 in. (83 mm) as per Fig. 2.

The minimum mesh properties for strength and flexibility should be in accordance with the following:

- *Mesh Tensile Strength* shall be a minimum of 2900 lb/ft (42.3 kN/m) when tested in accordance with ASTM A975 section 13.1.1.
- *Punch Test* resistance shall be a minimum of 5300 lb (23.6 kN) when tested in compliance with ASTM A975 section 13.1.4.
- *Connection to Selvedges* shall be 1200 lb/ft (17.5 kN/m) when tested in accordance with ASTM A975.

P.V.C. (Polyvinyl Chloride) Coating

The technical characteristics and the resistance of the PVC to aging should meet the relevant standards. The main values for the PVC material are as follows:

- The initial property of the PVC coating shall be in compliance with ASTM A975 section 8.2.
- Prior to UV and abrasion degradation, the PVC polymer coating shall have a projected minimum durability of 69 years when tested in accordance with *UL 746B Polymeric Material—Long Term Property Evaluation* for heat aging test.

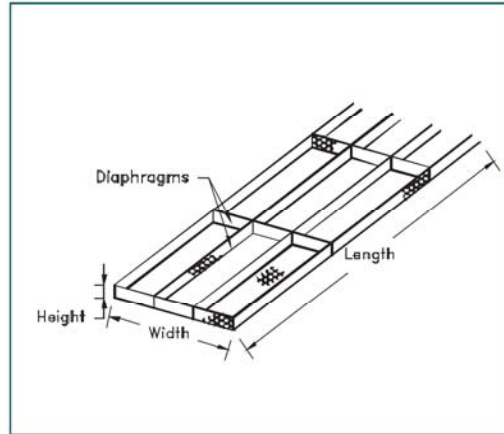


Figure 1

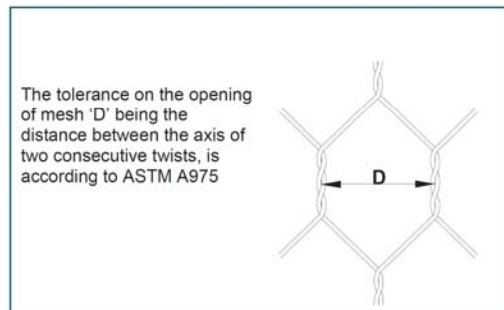


Figure 2

Lacing, Assembly and Installation

Lacing operations to assemble and connect gabion mat units are made by using lacing wire specified in Table 3 and described in Fig. 3. Stainless steel ring fasteners can be used instead of, or to complement, the lacing wire (Fig. 4 and Fig. 5). Stainless steel rings for PVC coated gabion mats shall be in accordance with ASTM A975 section 6.3.

Spacing of the rings shall be in accordance with ASTM A975 Table 2, Panel to Panel connection, Pull-Apart Resistance. In any case, ring fasteners spacing shall not exceed 6 in. (150 mm) (Fig. 3).

The rings can be installed using pneumatic or manual tools (Fig. 5).

For full details, please see the Gabion Mat Product Installation Guide.

The average maximum resistance of the fasteners from the field shall not be lower than 90% of the resistance provided in the certification.

MACCAFERRI

Maccaferri reserves the right to amend product specifications without notice and specifiers are requested to check as to the validity of the specifications they are using.

Table 1—Sizes for gabion mats

L=Length ft (m)	W=Width ft (m)	H=Height ft (m)	# of cells
99 (30)	6 (1.9)	1 (0.3)	22
99 (30)	9 (2.8)	1 (0.3)	33
99 (30)	6 (1.9)	1.5 (0.45)	22
99 (30)	9 (2.8)	1.5 (0.45)	33
60 (19)*	6 (1.9)	1 (0.3)	14
60 (19)*	9 (2.8)	1 (0.3)	21
60 (19)*	6 (1.9)	1.5 (0.45)	14
60 (19)*	9 (2.8)	1.5 (0.45)	21

*With the addition of diaphragms, 3x3 cells are available upon request. All sizes and dimensions are nominal. Tolerances of ± 5% of the width, length, and height, of the gabion mats shall be permitted.

Quantity Request

When requesting a quotation, please specify:

- number of units,
- size of units (length x width x height, see Fig. 1),
- type of mesh,
- type of coating.

EXAMPLE: No. 100 gabion mats, 99x6x1, Mesh type 8x10, Wire diam. 0.106 in. (2.70 mm), Galvanized + PVC coated.

Table 2—Standard mesh-wire

Type	D in. (mm)	Tolerance	Internal Wire Dia in. (mm)	External Wire Dia in. (mm)
8x10/ ZN+PVC	3.25 (83)	±10%	0.106 (2.70)	0.146 (3.70)

Table 3—Standard wire diameters

	Lacing Wire	Mesh Wire	Selvedge Wire
PVC Mesh Diameter ø in. (mm)	0.087 (2.20)	0.106 (2.70)	0.134 (3.40)
Wire Tolerance (±) ø in. (mm)	0.004 (0.10)	0.004 (0.10)	0.004 (0.10)
Minimum Quantity/Zinc oz/ft ² (g/m ²)	0.70 (214)	0.80 (244)	0.85 (259)
Wire + PVC Diameter in. (mm)	0.127 (3.20)	0.146 (3.70)	0.174 (4.40)

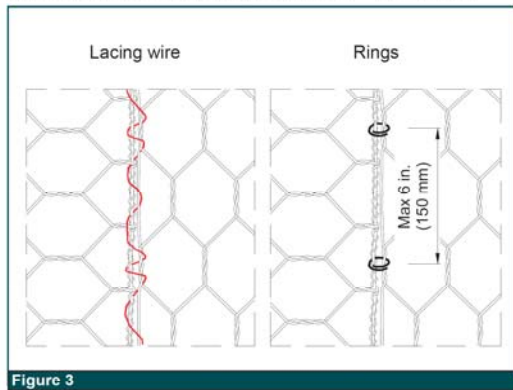
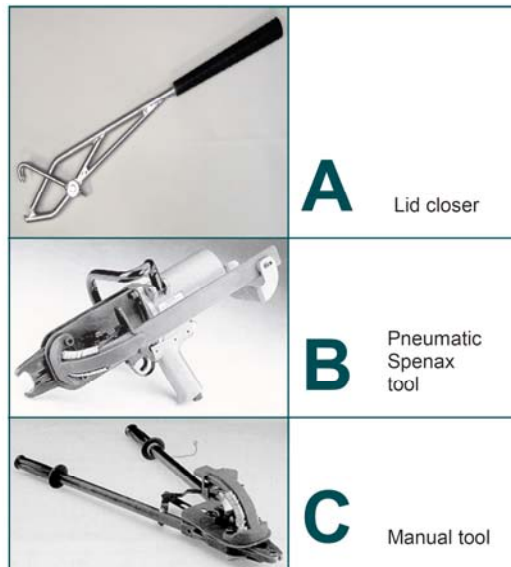
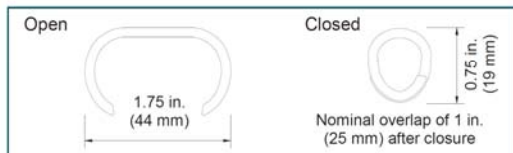


Figure 3



 <p>www.maccaferri-usa.com</p>	<p>Headquarters: 10303 Governor Lane Boulevard Williamsport, MD 21795-3116 Tel: 800-638-7744 Fax: 301-223-6134 info@maccaferri-usa.com</p>	<p>MACCAFERRI, INC.</p> <p>AZ, Phoenix MO, St. Louis PR, Caguas CA, Sacramento NJ, Iselin TX, Lewisville FL, Coral Gables NM, Albuquerque WA, Seattle MD, Williamsport OH, Columbus</p>	<p>Area Offices:</p>
	<p>©2012 Maccaferri, Inc. Printed in USA</p>		

EROSION CONTROL – GEOSYNTHETICS – POROUS PAVEMENT
SEDIMENT CONTROL – STORM WATER MANAGEMENT